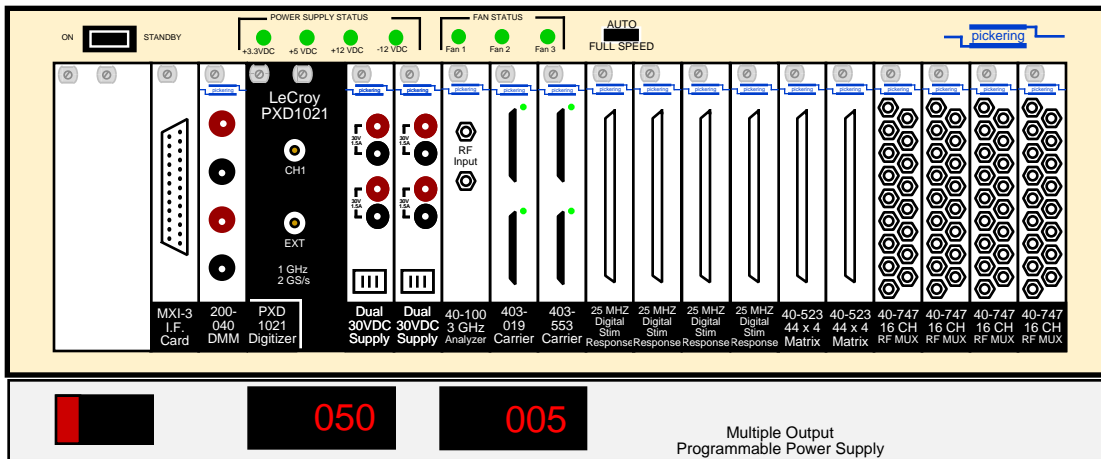
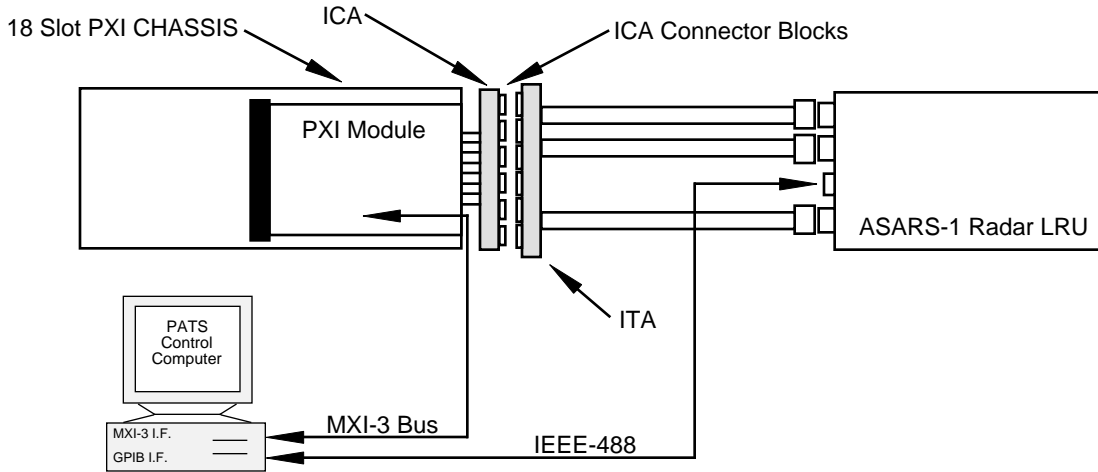


# Pickering Avionics Test System (PATS)



## Typical General Purpose Avionics Test System

Part Number	Description	Quantity
40-930-001	18 Slot High Performance 600W PXI Chassis	1
NI-777945-01	MXI-3 Interface	1
41-200-040	6.5 Digit Precision DMM	1
PXD-1021	1 GHz Digitizer	1
41-300-030	Dual 30VDC 1.5A 3U PXI Power Supplies UUT Power	2
41-100-001	3GHz RF Analyzer & Frequency Counter	1
41-403-018	Multi Protocol Serial Interface RS 232 / 422 / 485	1
41-553	Mil-Std 1553 Bus Analyzer	4
41-500-001	25MHz Dynamic Digital Card 48 TTL channels per card	2
40-538-021	High Density Matrix 440 Crosspoints 50 MHz Bandwidth	4
40-747-511	2GHz RF 16:1 Multiplexer	4
SPS 8-125	Stand Alone General Purpose Power Supply Multiple Outputs	1
Custom Made	Mac Panel Interconnect Cable Adapter (ICA)	1
Custom Made	Interface Test Adapters	Multiple

For Commercial Avionics, an ARINC 429 ( 41-429 ) card may be substituted in place of the 1553 card.